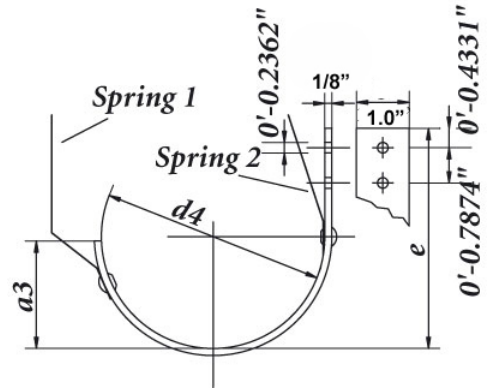


Standard Duty Copper Gutter Hanger



size	material thickness	material width	d4	a3	e
5"	0.157"	.942"	5.00"	2.25"	4.5625"
6"	0.157"	.942"	6.02"	2.75"	5.125"